



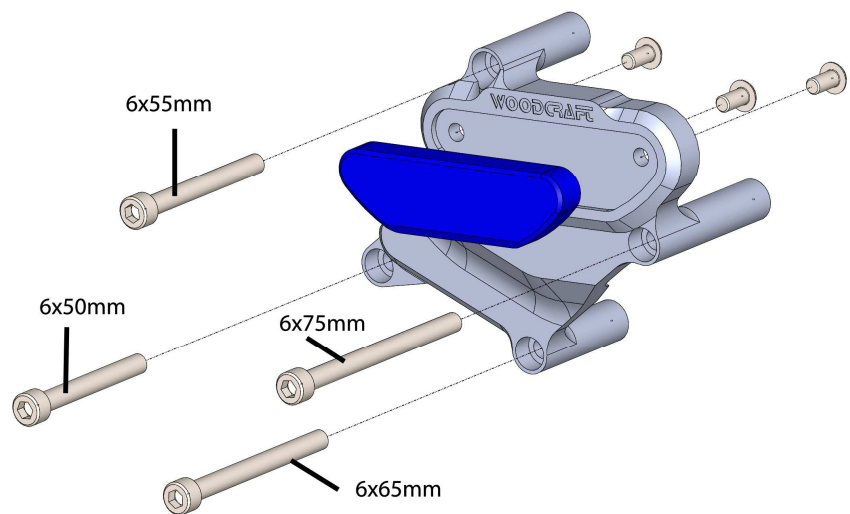
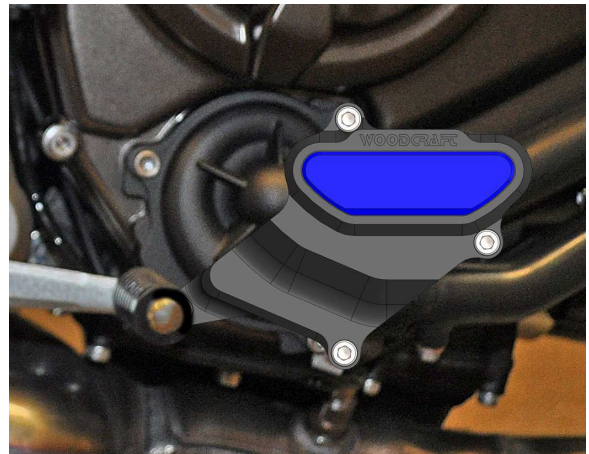
Installation Instructions

60-0407WPC Yamaha FZ07 Water Pump Cover

1) Attach the skid plate to the Woodcraft cover by bolting it from the inside. **IMPORTANT - USE BLUE THREADLOCKING COMPOUND ON THE THREE SKID PLATE MOUNTING BOLTS.** Coat the threads completely and allow the threadlocking compound to fully set before use.

2) Install the Woodcraft cover using the included mounting hardware. Torque for these mounting bolts is about 7 ft-lbs.

3) Start the motorcycle and inspect for any leaks before riding.



WARNING

Installation of Woodcraft Billet Covers involves removal and reinstallation of certain factory components such as fasteners, alternator stators and oil-retention gaskets. **FAILURE TO INSTALL THESE COMPONENTS IN COMPLIANCE WITH ALL SPECIFIC INSTRUCTIONS SUPPLIED WITH BILLET COVER KIT, MAY CAUSE OIL LOSS OR DAMAGE TO ENGINE RESULTING IN LOSS OF CONTROL OF MOTORCYCLE AND SERIOUS INJURY OR DEATH.**