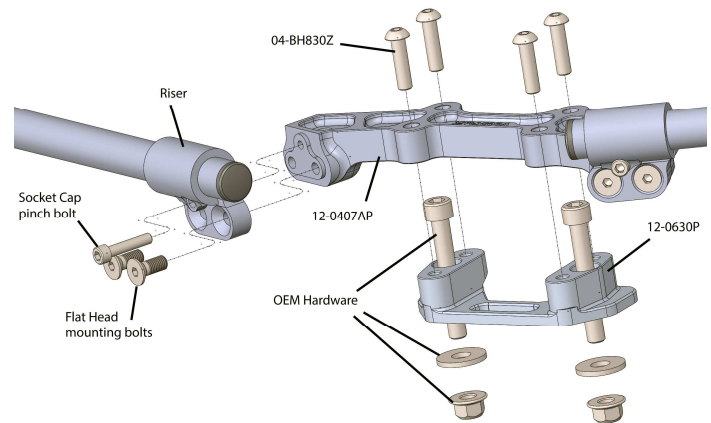


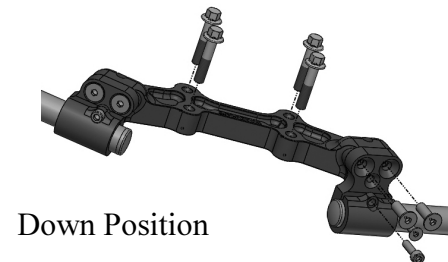
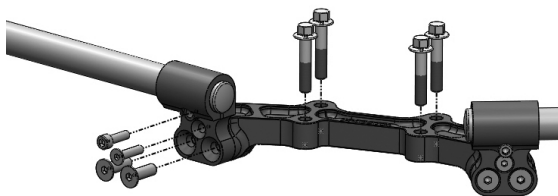
Ducati 12-0630AP Clipon Riser Clamp Installation Instructions

WARNING Installation and use of some Woodcraft Technologies, Inc. products will change the response of the motorcycle to rider control inputs. Failure of the rider to adapt to these changes may cause loss of control, and serious injury or death. Improper installation, and/or failure to comply with all warnings and instructions may cause loss of control and serious injury or death. **DO NOT INSTALL OR USE ANY WOODCRAFT TECHNOLOGIES, INC. PRODUCTS IF YOU ARE UNABLE TO DO SO IN COMPLIANCE WITH ALL INSTRUCTIONS AND WARNINGS. SEEK THE ASSISTANCE OF AN EXPERIENCED TECHNICIAN.**

- 1) Completely remove your stock grips, controls and handlebar assembly. This kit replaces both the stock handlebar and the top clamp of the OEM assembly.
- 2) Use the OEM mounting hardware to secure the 12-0630 clip-on adapter plate to the OEM handlebar base unit.
- 3) The 12-0407AP adapter plate is designed so that the riser portion of the clamps can point either up or down. NOTE: The lowest position available is down with 1.5 inch risers. Installers should pay careful attention that nothing binds through the entire range of motion. **Most riders install these clamps with 1 or 1.5 inch risers. Secure the plate with the 04-BH830Z hardware.**
- 4) Bolt the riser clamps to the adapter plate using the included Flat Head bolts. **IMPORTANT: These bolts must have the threads completely coated with blue threadlocking compound before installation.**
- 5) The OEM controls have anti rotation pins, which require you to drill holes in the handlebars for proper installation. Measure the diameter of the holes in the stock handlebars and select the appropriate drill bit.
- 6) Secure the bars into the riser clamps. Slide the controls into place, noting that the grips should end right where the plastic end plug meets the aluminum. Mark the location for the anti rotation pins and drill the holes for them. Test the controls to be sure that they are securely tightened and that all your controls operate and return properly through the entire range of motion of the bars from lock to lock.



Up Position



WARNING - VERY IMPORTANT : Ensure that the cables, hoses and all control parts do not contact any part of the motorcycle and that you have full ability to manipulate the controls throughout the entire range of steering. Also, be sure that the throttle returns freely after being fully opened throughout the entire range of steering. **FAILURE TO HEED THESE WARNINGS MAY CAUSE LOSS OF CONTROL OF MOTORCYCLE AND SERIOUS INJURY OR DEATH. DO NOT OPERATE THE MOTORCYCLE IF THERE ARE ANY INTERFERENCE ISSUES WITH EITHER THE MOTORCYCLE PARTS OR YOUR BODY, OR WITH A THROTTLE THAT DOES NOT RETURN FREELY.**