

# WOODCRAFT

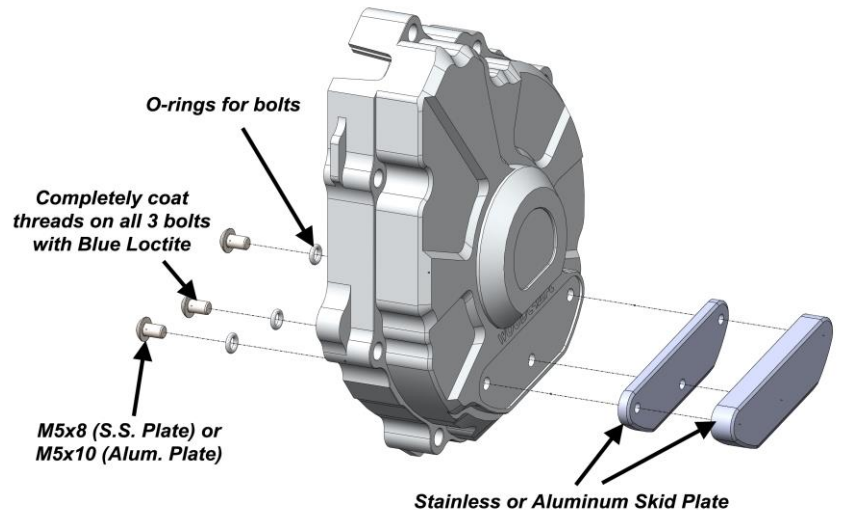
Technologies, Inc.

## Installation Instructions

### 60-252L Ignition Cover Instructions

1) Remove the OEM cover from the motor and unbolt the stator assembly. Clean and inspect all OEM parts and hardware.

2) Attach the skid plate to the Woodcraft cover by bolting it from the inside. Each bolt should have an o-ring (supplied) on it before assembly. You can use a very small amount of grease on the o-ring to ease installation.

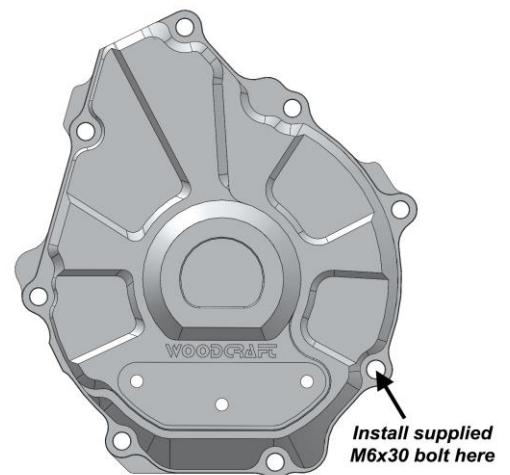


**IMPORTANT - USE BLUE THREADLOCKING COMPOUND on the three skid plate mounting bolts. Completely coat the threads & allow time to cure before running!**

3) Attach the pickup, wire retainer and stator using the OEM hardware to the Woodcraft cover. Be sure that the retainer does not contact the rotor.

**IMPORTANT - USE BLUE THREADLOCKING COMPOUND on all of the pickup / retainer mounting bolts and USE A QUALITY SILICONE SEALANT on both sides of the rubber plug for the stator wires (MANDATORY).**

4) Completely clean the engine gasket surface. Install the Woodcraft cover with a new gasket using the OEM mounting hardware in all locations except the one shown at the right. Install the supplied M6x30mm bolt in this location. Your cover can use either a Woodcraft or OEM gasket for future installations.



6) Start the motorcycle and inspect for any leaks before riding.

### WARNING

Installation of Woodcraft Billet Covers involve removal and reinstallation of certain factory components such as fasteners, alternator stators and oil-retention gaskets. FAILURE TO INSTALL THESE COMPONENTS IN COMPLIANCE WITH ALL SPECIFIC INSTRUCTIONS SUPPLIED WITH BILLET COVER KIT, MAY CAUSE OIL LOSS OR DAMAGE TO ENGINE RESULTING IN LOSS OF CONTROL OF MOTORCYCLE AND SERIOUS INJURY OR DEATH.