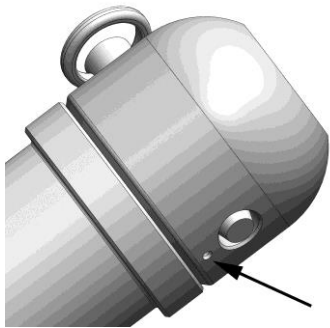


1) **Axle Side:** The large base with the expansion slot will be installed in the hex of the axle itself. To install the base, thread the 8x25mm socket head bolt into the assembly until it is almost tight, leaving a small gap between the halves. Slide the assembly into the hexagonal hole of the axle and be sure that it is fully seated against the axle.

Important Note: Sometimes axles are damaged when hammered in, and will slightly deform the axle itself. Since our axle sliders are a precise fit, you will need to file off any raised edges. You will not need to do this on an axle in good condition.

2) Tighten the 8mm allen bolt to lock the assembly in place. You should hold the he with a wrench while doing this to ensure you can fully lock the axle side in place.



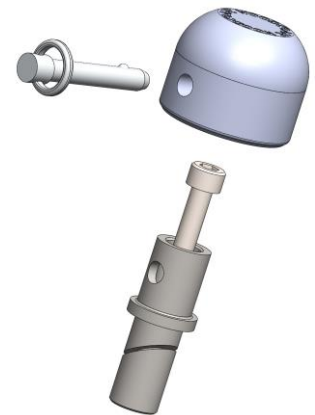
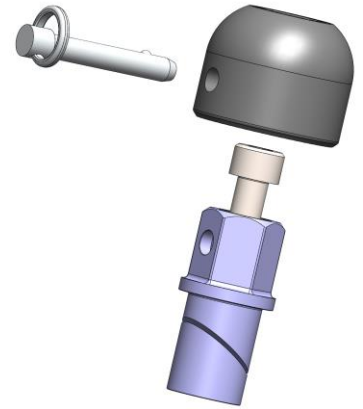
3) Install the plastic top using the removable pin. **Important:** One side of the puck has a small hole drilled beneath the main hole. Install the pin so that the end of the pin with the ball is on the same side as this small hole. The pin should be installed so that the ring is on the top half of the slider.

axle and be sure that it is fully seated against the axle.

4) **Nut Side:** The base with the expansion slot will be installed in the circle of the axle itself. To install the base, thread the 6x25mm socket head bolt into the assembly until it is almost tight, leaving a small gap between the halves. Slide the assembly into the circular hole of the

5) Install the plastic top using the removable pin. **Important:** One side of the puck has a small hole drilled beneath the main hole. Install the pin so that the end of the pin with the ball is on the same side as this small hole.

A note for racers: If your tech inspector wants you to safety wire these (most will not) then you simply need to orient the pins so that the pull on the pin is both clockwise and down (so that it acts to both tighten the bolt and pull the pin into the puck)



105 Baldwinville Rd, Winchendon, MA 01475

978-297-2977

WARNING: Improper installation and/or failure to comply with all warnings and instructions may cause a loss of control and serious injury or death. The motorcycle should be run and thoroughly inspected before use. DO NOT INSTALL OR USE THIS PRODUCT IF YOU ARE UNABLE TO DO SO IN COMPLIANCE WITH ALL INSTRUCTIONS AND WARNINGS. SEEK THE ASSISTANCE OF A TRAINED PROFESSIONAL TECHNICIAN.