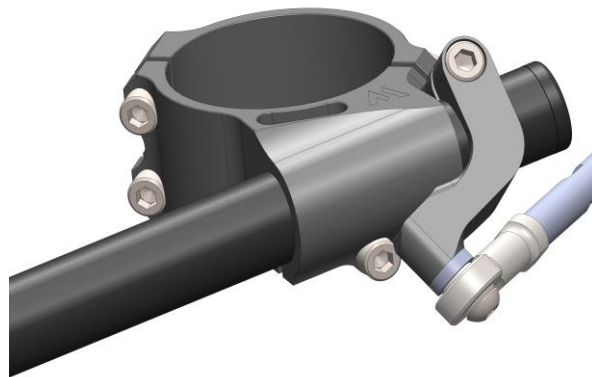


- 1) Slide approximately 1/2" of handlebar through the bar clamp so that there is space on the side to secure the damper clamp. Tighten the pinch bolt on the clipon.
- 2) Orient the clamp as shown at the right (so that the bend of the clamp is within a few mm of the pinch bolt of the bar tube). Torque the 6x16 socket cap pinch bolt to secure the clamp to the handlebar.
- 3) Attach the steering damper to the bottom of the clamp using the 6x25mm button head bolt. **IMPORTANT:** Fully coat the threads with Blue Loctite before installation and allow the compound to cure before use.
- 4) Sit on the motorcycle and rotate the handlebars lock to lock. Be sure that you have full handlebar travel in both directions before operation. Check the damper for freedom of motion throughout the entire range of travel.



WARNING Installation and use of some Woodcraft Technologies, Inc. products will change the response of the motorcycle to rider control inputs. Failure of the rider to adapt to these changes may cause loss of control, and serious injury or death. Improper installation, and/or failure to comply with all warnings and instructions may cause loss of control and serious injury or death. **DO NOT INSTALL OR USE ANY WOODCRAFT TECHNOLOGIES, INC. PRODUCTS IF YOU ARE UNABLE TO DO SO IN COMPLIANCE WITH ALL INSTRUCTIONS AND WARNINGS. SEEK THE ASSISTANCE OF AN EXPERIENCED TECHNICIAN.**